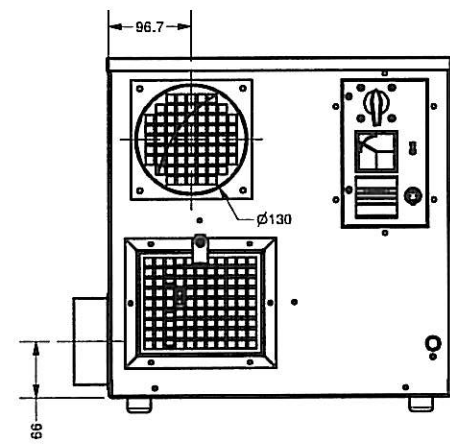
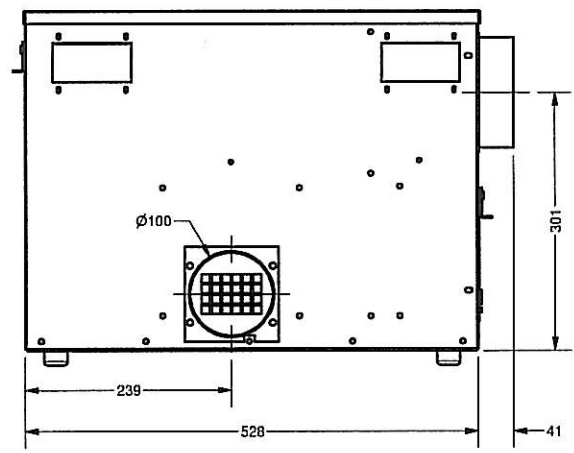
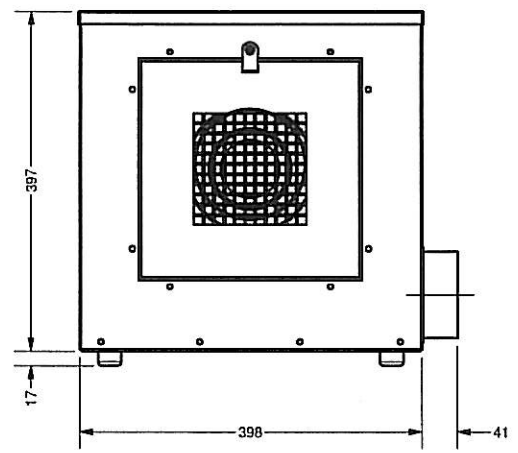
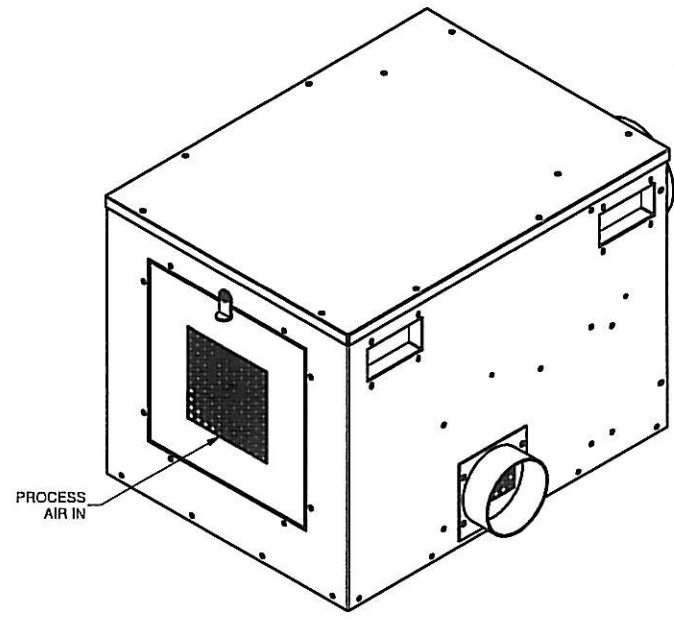
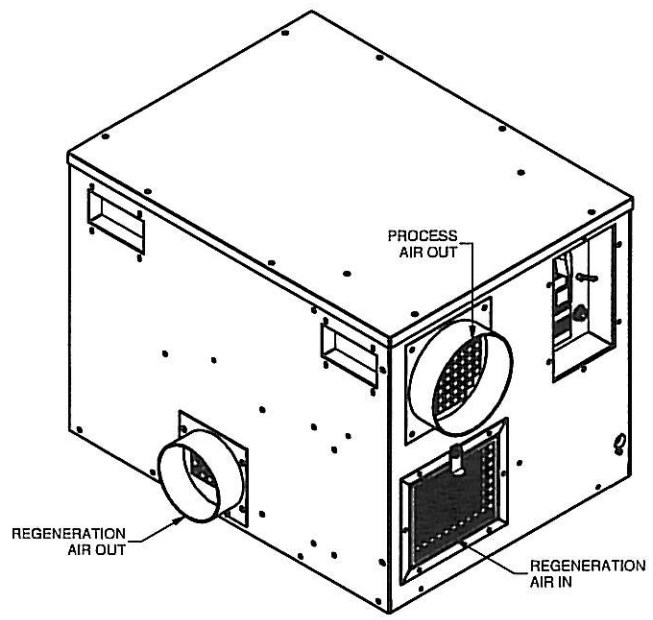
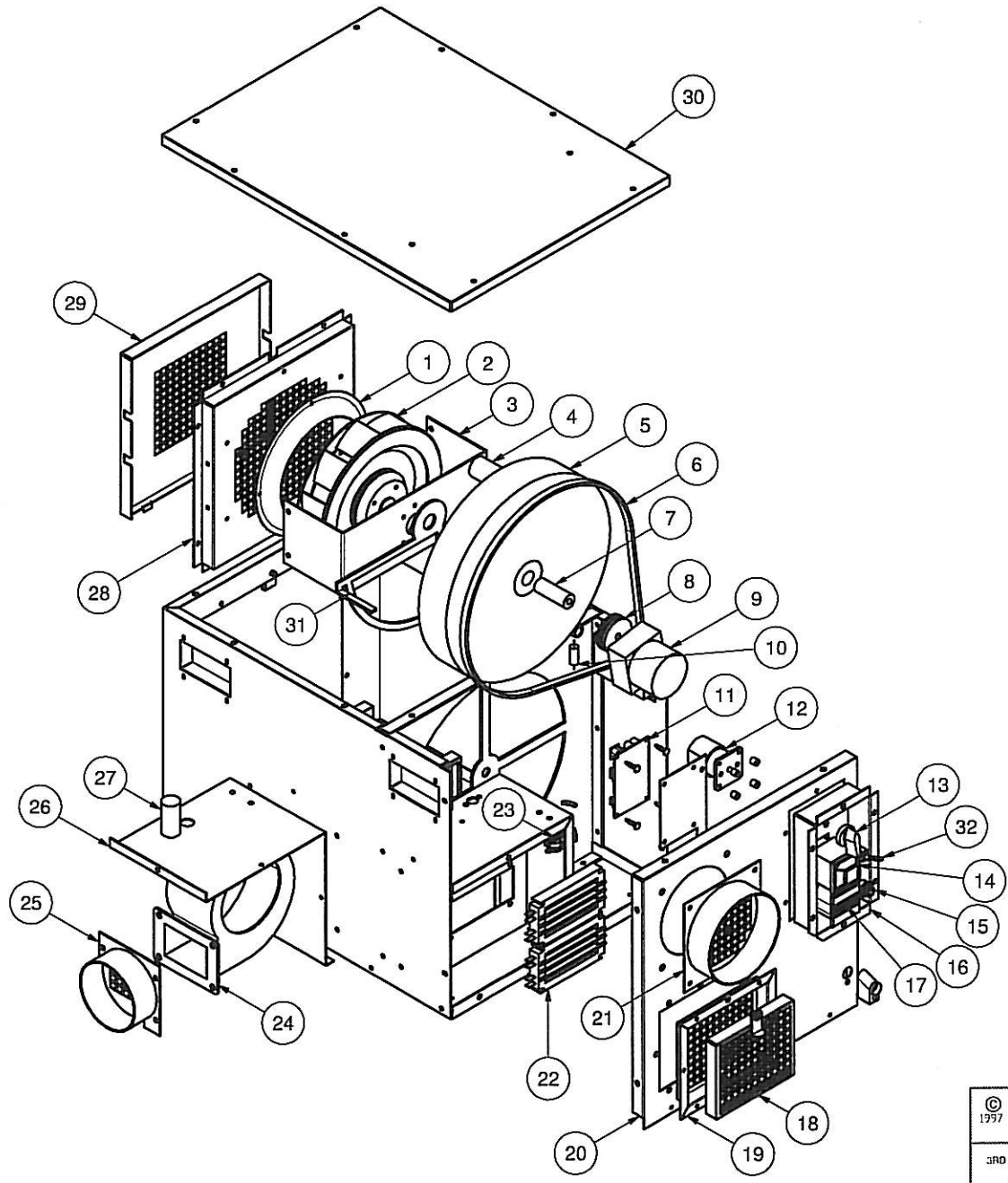


ISS.	DATE	COMMENTS
1	22/11/10	ORIGINAL



	BISHOP AUCKLAND Co. DURHAM ENGLAND		TITLE <b>DD400 GENERAL ASSY</b>	
	3RD ANGLE PROJECTION 	DIMENSIONS IN m.m. TOLERANCES UNLESS OTHERWISE STATED 0. ± 1 0.0 ± 0.25 0.00 ± 0.05 ANGULAR ± 0.5 DEGREE	MATERIAL N/A	DRAWN : <b>W DAGLISH</b> CAD SCALE : <b>1/6</b>
DO NOT SCALE IF IN DOUBT ASK	FINISH N/A	DRG.NO. <b>1050000</b>		

ISS.	DATE	COMMENTS
1	22/11/10	ORIGINAL



Parts List		
ITEM	DESCRIPTION	QTY
1	PROCESS MOTOR INLET RING	1
2	PROCESS MOTOR	1
3	PROCESS MOTOR BRACKET	1
4	PROCESS MOTOR CAPACITOR	1
5	DESICCANT WHEEL	1
6	DESICCANT WHEEL DRIVE BELT	1
7	DESICCANT WHEEL SHAFT	1
8	PULLEY	1
9	DRIVE MOTOR	1
10	DRIVE MOTOR CAPACITOR	1
11	CONTROL PCB	1
12	ON / OFF SWITCH	1
13	ON / OFF SWITCH KNOB	1
14	AMMETER	1
15	EXTRENAL HUMIDISTAT CONNECTOR	1
16	CONTROL BOX	1
17	HOURS RUN METER	1
18	REGENERATION INLET FILTER RETAINER	1
19	REGENERATION INLET FILER CAGE	1
20	FRONT COVER	1
21	PROCESS OUTLET SPIGGOT ASSY	1
22	PTC HEATER	2
23	OVER HEAT PROTECTOR	1
24	REGENERATION MOTOR	1
25	REGENERATION OUTEL SPIGGOT ASSY	1
26	REGENERATION INLET CHAMBER COVER	1
27	REGENERATION MOTOR CAPACITOR	1
28	PROCESS INLET FILTER CAGE	1
29	PROCESS INLET FILTER RETAINER	1
30	TOP COVER	1
31	DESICCANT WHEEL SEALING PLATE	1
32	AUTO / MANUAL SELECTION SWITCH	1

 1997 3RD ANGLE PROJECTION  DO NOT SCALE IF IN DOUBT ASK	BISHP AUCKLAND Co. DURHAM ENGLAND	TITLE <b>DD400 GENERAL ASSY</b>		
	DIMENSIONS IN m.m. TOLERANCES UNLESS OTHERWISE STATED 0.     ± 1 0.0   ± 0.25 0.00   ± 0.05 ANGULAR ± 0.5 DEGREE	MATERIAL N/A	DRAWN :   W DAGLISH CAD SCALE :   1/6	
		FINISH N/A	DRG.NO. 1050000	SHEET 2 OF 2